

**Burns and Ferrall Locations**

**AUCKLAND**  
 12 Reg Savory Place  
 East Tamaki, Auckland

0800 697 465

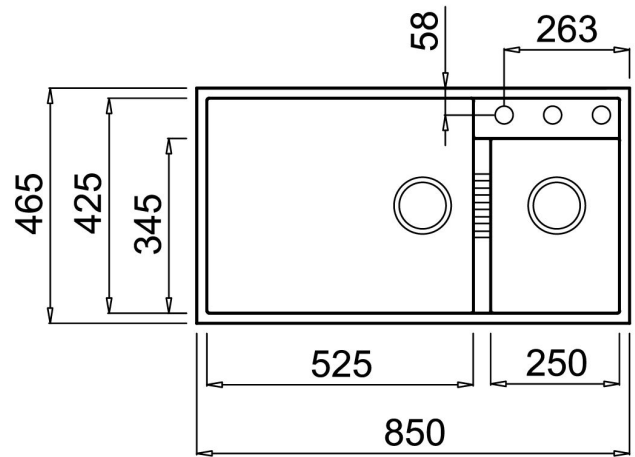
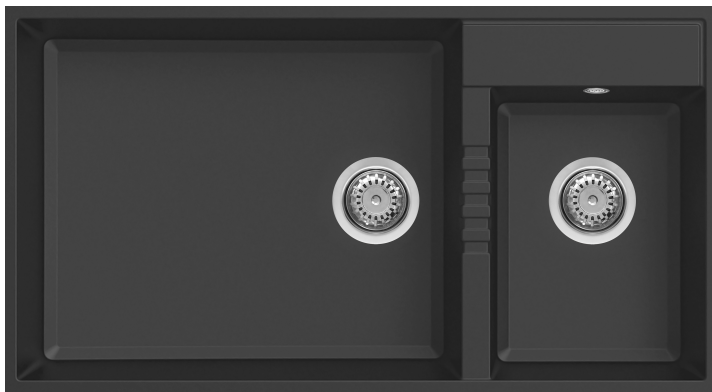
**WELLINGTON**  
 122-124 Tory Street  
 Te Aro

**HAMILTON**  
 60 Alexandra Street  
 Central

**CHRISTCHURCH**  
 345 St Asaph Street  
 Christchurch

**Product Specification Sheet**

**ELGT445-40**  
**ELMT445-79**



Elleci Square UNDER MOUNT

ELGT445-40 Black  
 ELMT445-79 Aluminium

Corner Radius: 10mm

Includes 90mm waste and overflow

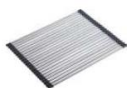
Min Cab Width: 950mm



Accessories Available (optional)



**BFDDB**  
 DRAINING BASKET  
 390 X 325mm



**BFDRMB**  
 ROLLER MAT  
 480 X 450mm



Black  
 Gold  
 Bronze

E&OE – it is recommended all measurements are taken directly from the product. Specification subject to change without notice, always consult the literature supplied with the product. Coloured images are indicative only.